



TUGLESS VIEW
INSTALLATION GUIDE

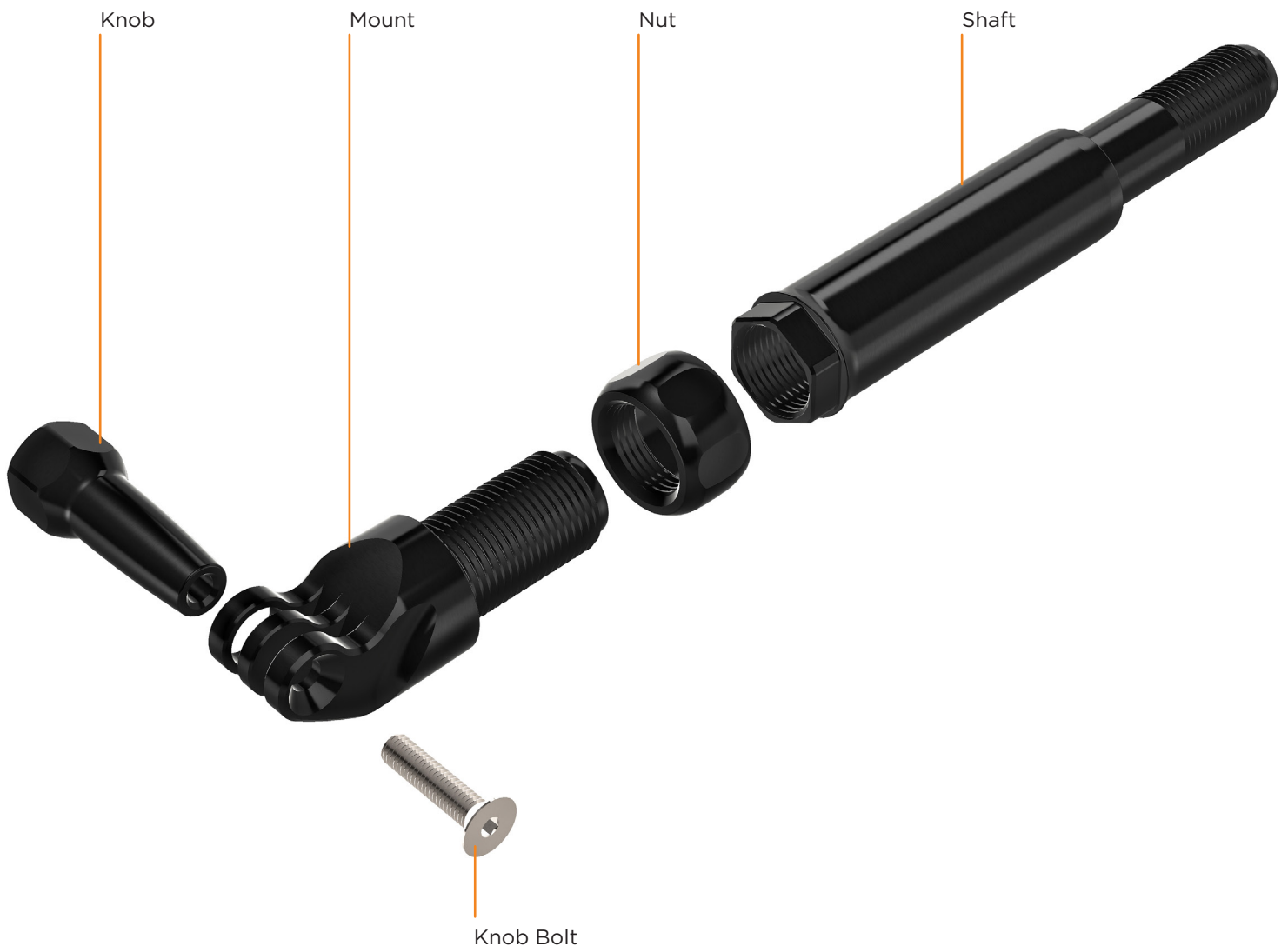


PARTS LIST

- Knob
- Mount
- Nut
- Shaft
- Knob Bolt

TOOL LIST

- Small Screw Driver
- Masking Tape
- Drill
- 1/2" Drill Bit
- Grease
- 20mm Socket
- Ratchet Wrench
- 25mm Wrench or Tug Tool
- 5/8" Wrench





INSTALLATION GUIDE

**** IF YOU HAVE A RACESENG TOW HOOK, PROCEED TO STEP 4 ****

- 1 Use a small screw driver to remove the tow hook bumper cover. To avoid damaging your bumper paint, put a strip of masking tape on the bumper underneath the pry slot of the cover.
- 2 Clean the tow hook shaft threads in the bumper beam. A blast of air or wire brush will suffice. The key is to remove any debris from the threads.
- 3 Apply grease to the threads of the Shaft that screws into the bumper beam. Insert and thread the Shaft into the bumper beam.
- 4 There is a hex machined on the front of the Shaft. Use 20mm socket and ratchet wrench on the hex to tighten the shaft into the bumper beam.
- 5 Apply grease to the threads of the Mount. Then, thread the Nut onto the Mount until it bottoms out.
- 6 Level the Mount and tighten the Nut into the Shaft using a 25mm wrench or Tug Tool.
- 7 Remove the Knob and Knob Bolt.
- 8 Pass the ears of the GoPro case into the Mount. Put the Knob Bolt through the holes of the mount and thread the Knob onto the Knob Bolt.
- 9 Adjust the GoPro's angle and tighten the Knob with a 5/8" wrench.
- 10 Enjoy your new Tug View footage!

TRIMMING THE TOW HOOK BUMPER COVER

**** OPTIONAL ****

- 1 Remove the Knob and Knob Bolt.
- 2 Place masking tape over the front and back of the bumper cover.
- 3 Place the bumper cover over the Mount and mark approximately where the centerline of the shaft intersects the bumper cover.
- 4 Using a drill and 1/2" drill bit, drill a hole through your marked location.
- 5 Use a dremel or file to open the hole to the point where the cover passes over the Mount.
- 6 When the hole is large enough, reinstall the bumper cover, Knob and Knob Bolt.



NEED TECH HELP?

tech@raceseng.com